

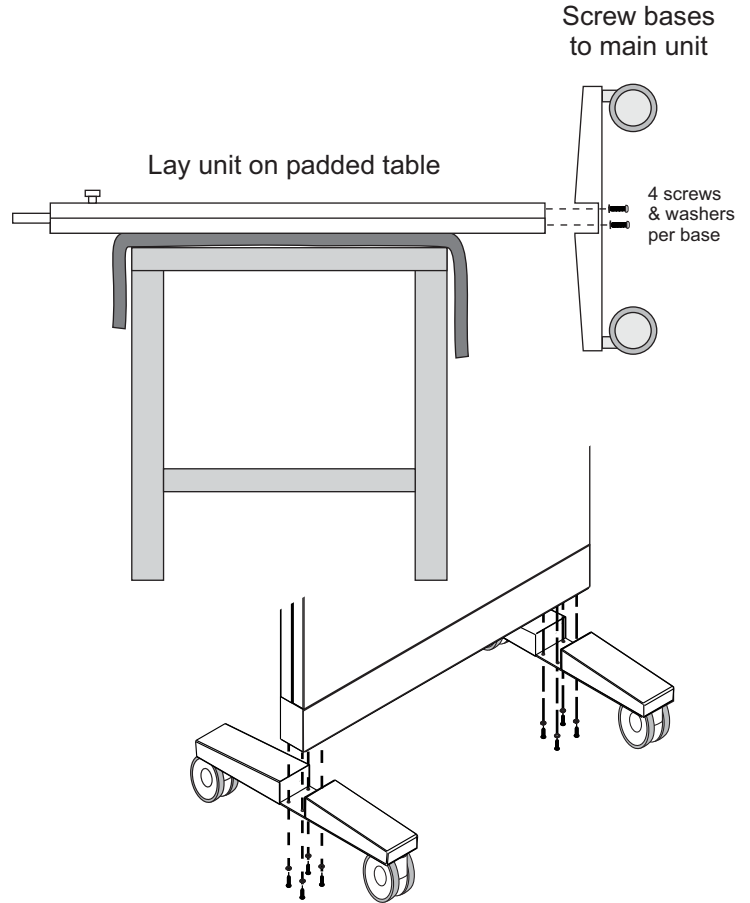


BARRIERS

# Technician Protection Mobile Screen

076993

## ASSEMBLY



The Mobile Screen ships in one box.

The box contains:

- 2 bases with installation hardware.
- (8- screws & 8- lock washers)
- 1 Protection Screen - main unit

Do not remove 1/2 retaining strap yet.

Lay the main unit on a padded table

Remove plastic wrapping where legs mount.

Screw on base legs- as shown

Lift upright onto floor

Remove retaining strap



# INFAB

1040 Avenida Acaso  
Camarillo, CA 93012, USA

Ph: 805.987.5255  
Fx: 805.482.8424

info@infabcorp.com  
www.infabcorp.com

REV004